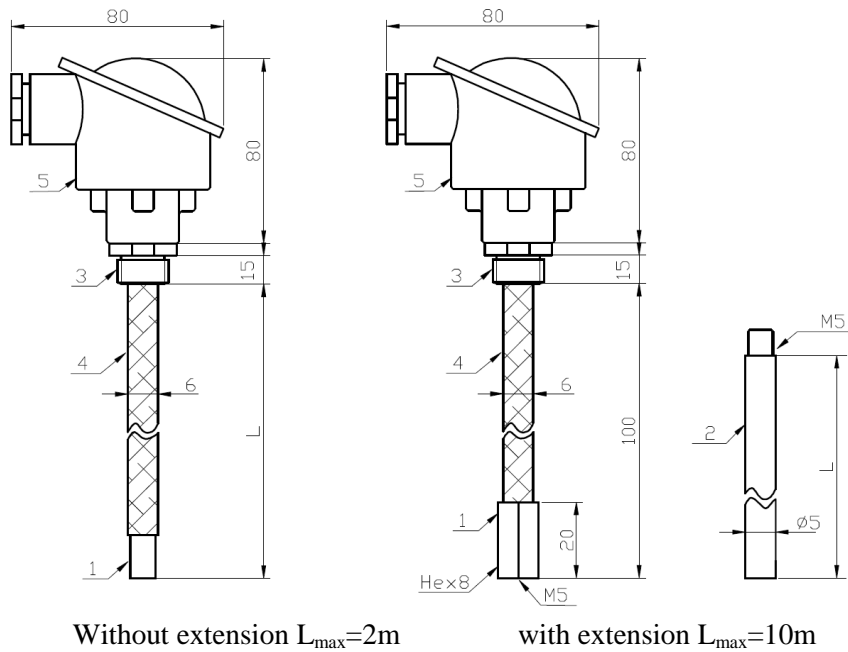


Level electrode

LJ-B



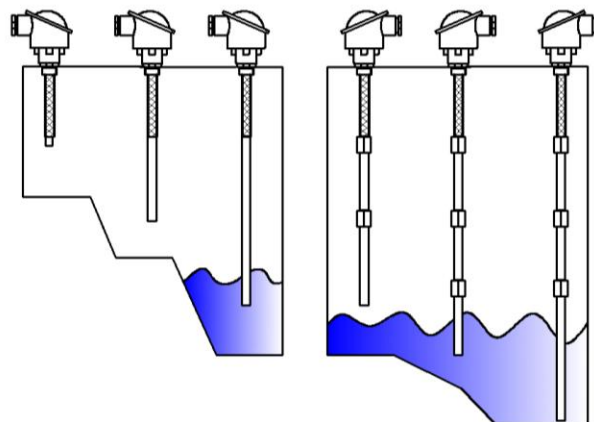
Process temperature: $-30\dots+180\text{ }^{\circ}\text{C}$

Protection class: IP65

- 1 – Electrode – stainless steel DIN 1.4301 (AISI 304)
- 2 – Neck extension – stainless steel DIN 1.4301 (AISI 304)
- 3 – Process connection G1/2" – stainless steel DIN 1.4301 (AISI 304)
- 4 – Isolation - teflon
- 5 – Process connection (type B, aluminium alloy)

L – length of electrode

Different connection thread on request.



AUREGIS UAB Savanoriu pr. 271/ Mityvos g. 2, Kaunas LT-50131

Tel./fax.: +370 37 313426 Mob.:(+370) 686 38409, 698 74609, 614 34419, 686 54049, 614 71784

E-mail: info@aregis.lt www.aregis.lt